

For safe delivery of chemicals into pipelines

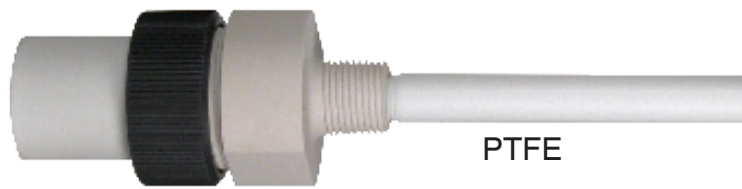
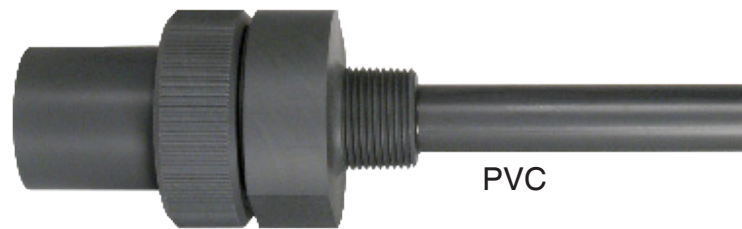
SIGMAMOTOR IQ Series Injection Quills are used to provide safe delivery of chemicals into pipelines. The quill end ensures the dispersion of the chemicals away from the pipe wall.

The integral spring loaded check valve prevents back-flow from the pressurized pipe if there is a break in the discharge piping.

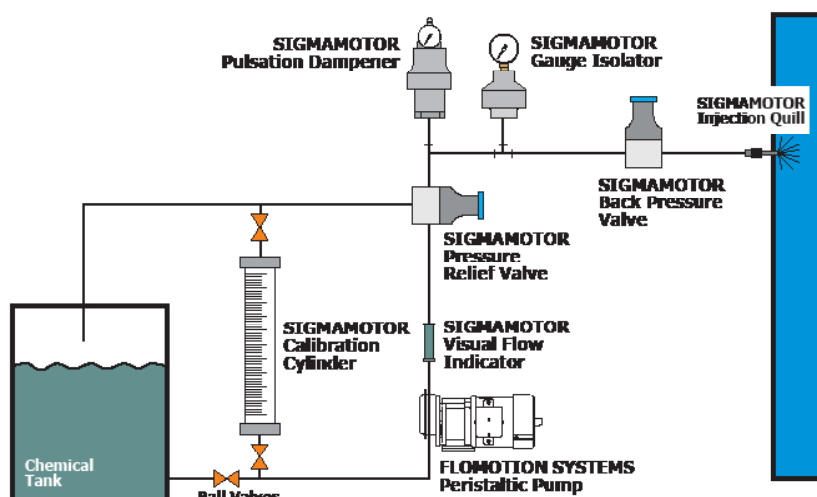
A union connection on the inlet allows for ease of installation and maintenance of the replaceable ball and o-ring.

Features

- Available in a variety of materials
- Removable check valve seat
- Teflon ball (316SS optional)
- Union inlet w/ Viton or EPDM o-ring
- Pressures to 150 psi (plastic), 350 psi (SS).
- Temperatures to 300 °F



Typical System



SIGMAMOTOR INJECTION QUILLS

NSF-61 Approved Materials

IQ: - - - -
 1 2 3 4 5

Example: IQ-N-500-P-V-M

INLET CONNECTION TYPE 1	
NPT	N
SOCKET	S

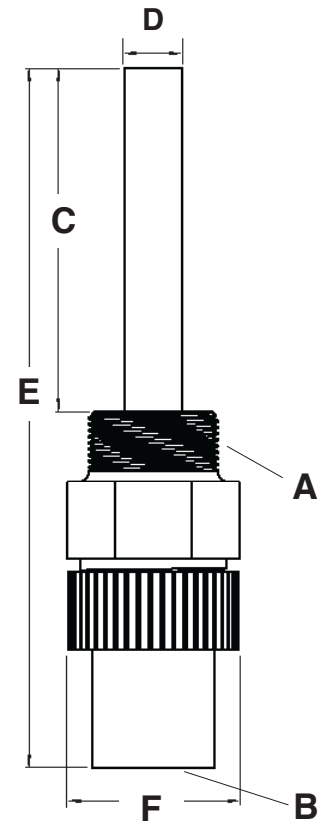
O-RING MATERIAL 4	
VITON	V
EPDM	E

SIZE 2			
SELECT:	500	750	100
SIZE (in)	1/2	3/4	1
A-Process Connection MNPT (in)	1/2	3/4	1
B-Inlet FNPT (in)	1/2	3/4	1
C-Quill Length (in)	4.2	4.2	5.0
D-Quill O.D. (in)	0.54	0.67	0.84
E-Overall Length (in)	8.1	8.1	9.0
F-Diameter (in)	2.0	2.0	2.75

OPTIONS 5	
FNPT (Standard)	
INLET MALE NPT	M
316 STAINLESS STEEL BALL	S
QUILL LENGTH - Enter total inches:	in.

QUILL BODY MATERIAL 3 With PTFE Ball and HC spring	
PVC	P
POLYPROPYLENE	PP
CPVC	CP
PTFE	T
Kynar® PVDF	K
316 SS	S
ALLOY 20	A
HASTELLOY C276	H

DIMENSIONS



Material:	PVC	CPVC	PP	PVDF	PTFE	METAL
Maximum Pressure:	150 psi	150 psi	150 psi	150 psi	150 psi	350 psi
Maximum Temperature:	140 °F	195 °F	195 °F	285 °F	480 °F	300 °F

SigmaMotor Inc.
 PO Box 298, 3 North Main Street
 Middleport, NY 14105
 Tel: 716.735.3115 Fax: 716.735.3425
 info@sigmamotorinc.com
 www.SigmamotorInc.com

