



Protects the intake of fluid into chemical feed systems.

SIGMAMOTOR Foot Valves are typically installed at the bottom of a tank to prevent fluid from flowing backwards out of a chemical feed system and back into the chemical storage tank.

The integral strainer protects the pumping system by blocking large solids while providing multiple paths for the liquid to enter.

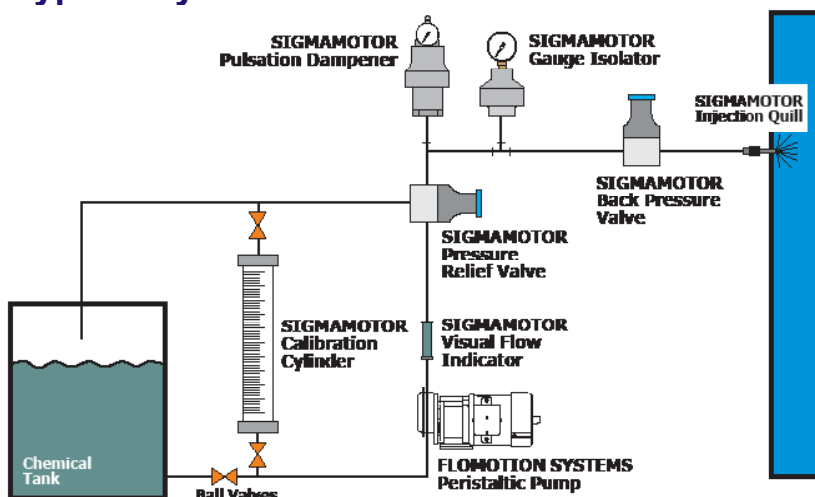
SIGMAMOTOR Foot Valves are available in a wide variety of materials and sizes.

Features

- CNC precision machined parts
- Disassembles for service
- Wide variety of materials available
- O-Ring Material - Viton or EPDM
- Strainer Material - PVC, PTFE



Typical System



SIGMAMOTOR FOOT VALVES

NSF-61 Approved Materials

FV: - - -
 1 2 3 4

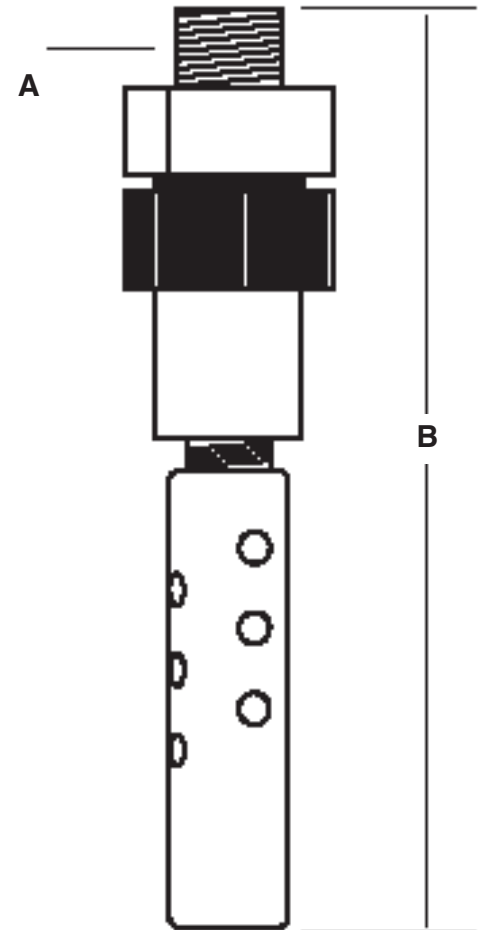
Example: FV-500-P-V-P

SIZE		1		
SELECT:		500	750	100
SIZE (in)		1/2	3/4	1
A-Process Connection - MNPT (in)		1/2	3/4	1
B-Length (in)		8.75	8.75	10.5

VALVE BODY MATERIAL with PTFE Ball and Hastelloy C Spring		2	
PVC		P	
POLYPROPYLENE		PP	
CPVC		CP	
PTFE		T	
Kynar® PVDF		K	
316 SS		S	
ALLOY 20		A	
HASTELLOY C		H	

O-RING MATERIAL		3	
VITON		V	
EPDM		E	

STRAINER OPTIONS		4	
PVC		P	
PTFE		T	



Material:	PVC	CPVC	PP	PVDF	PTFE	METAL
Maximum Pressure:	150 psi	150 psi	150 psi	150 psi	150 psi	350 psi
Maximum Temperature:	140 °F	195 °F	195 °F	285 °F	480 °F	300 °F

SigmaMotor Inc.
 PO Box 298, 3 North Main Street
 Middleport, NY 14105
 Tel: 716.735.3115 Fax: 716.735.3425
 info@sigmamotorinc.com
 www.SigmamotorInc.com

